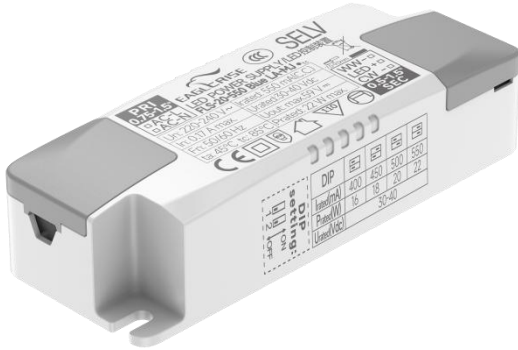


20W Bluetooth Dimming power supply



■ Approve



Features

- For luminaires of protection Class II, SELV, independent
- Input Voltage: 220-240VAC
- Protections: OLP/OVP/OTP
- Power Factor: 0.95
- Efficiency: 85%
- Adjustable Output Current with dip-switch
- 5 years warranty
- IP20

Applications

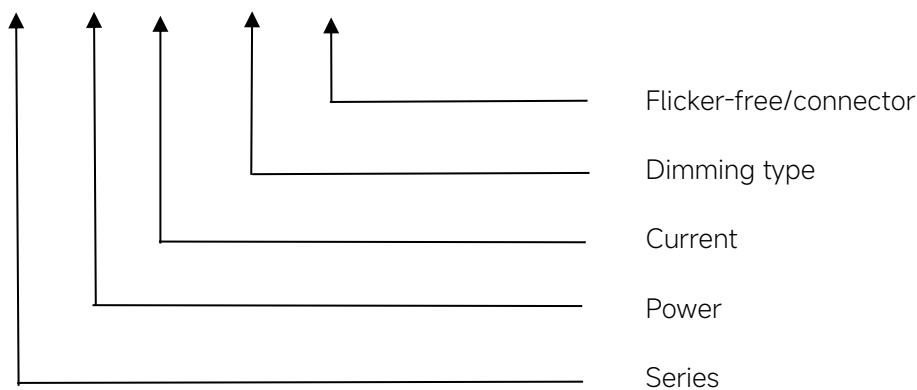
- LED down light, LED spot light

◆ Description

FLS-20-550 Blue LA-MJ is a 20W constant current LED driver that operates from 198-264Vac input with 400-550mA output current and a forward voltage range from 30 to 40Vdc. With it's compact dimensions from 102 x 38.2 x 25mm it is easy to integrate in LED panel products. To ensure trouble-free operation, protection is provided against output over load, over voltage and over temperature.

◆ Model cod

FLS-20-550 Blue LA-MJ



◆ Specification

	Constant Current (mA)	400mA	450mA	500mA	550mA
Output	Voltage Range(VDC)	30-40VDC			
	Unload voltage Max.(VDC)	59VDC			
	Current Accuracy	±5%			
	Output HF current ripple(≥1KHz)	≤±5%			
	Output LF current ripple(≤120Hz)	≤±3%			
	SVM	≤0.4			
	Pst	≤1			
	Efficiency(Typ.)	85%@220-240VAC, full load			
	Input	Rated input voltage(VAC)	220-240VAC		
Range of input voltage(VAC)		198-264VAC			
Maximum voltage		300VAC@1 h maximum,unit might not operate in this abnormal condition			
Frequency(Hz)		50/60 Hz			
Displacement factor		≥0.7@220-240VAC, full load			
Power Factor		0.95@220-240VAC, full load			
Input Current max		0.17A Max.			
Start-up time		< 0.8S			
Network standby power		≤0.5W			
THD		< 15%			
Dimming		Dimming	YES		
	Dimming mode	Bluetooth			
	Dimming depth	5%			
	Dimming current range	5~100%			
Protection	Over Load Protection	103-130% YES/Auto Resume			
	Over Voltage Protection	>59VDC YES/Auto Resume			
capability	Surge capability (L-N)	1.5KV			
	Surge capability (L/N-Ground)	NA			
Environment	Operating Temperature	-20°C...+45°C			
	Humidity	20%-90%RH			
	Tc	85°C			
	Storage Temperature	-20°C...+80°C			
	Life time	> 50,000h@Tc=85°C,230VAC			
	Noise	≤25dB(A)@20cm			
Surface	Dimension	102X38.2X25(LXWXH)mm			
Standards	Safety	GB19510. 1, GB19510. 14,EN61347- 1, EN61347-2- 13			

	EMC	GB/T17743, GB17625. 1,EN55015, EN61000-3-2, EN61000-3-3, EN61547,EN55015, EN61000-3-2, EN61000-3-3, EN61547
	Energy Efficiency	Erp2.0 EU 2019/2020
	RoHS	RoHS (2011/65/EU) (EU)2015/863
Note	<p>1.All parameters NOT specially mentioned are measured at 230VAC input , full load and 25°C of ambient temperature.</p> <p>2.Ripple & Noise are measured at 20MHz of bandwidth by using a 300mm twisted pair-wire terminated with a 0.1uF & 47 uF parallel capacitor.</p> <p>3.The over-temperature protection of the product is provided by the IC.</p> <p>4.All Eaglerise power supply are complied with EMI regulations. Since they are belong to component and will be installed inside system enclosure. When they are integrated into a system, the EMI characteristics of the system must be re-verified again.</p>	

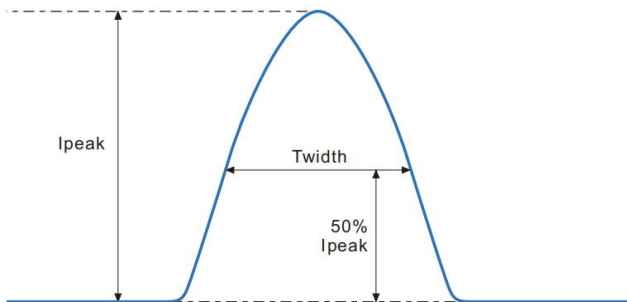
◆ Parameter

Number	Output				Switch position	
	Current (mA)	Voltage (VDC)	Voltage No load (VDC)	Power (W)	1	2
1	400mA	30-40VDC	59V	16	--	--
2	450mA			18	ON	--
3	500mA			20	--	ON
*4	550mA			22	ON	ON

* Factory default

◆ Inrush Current

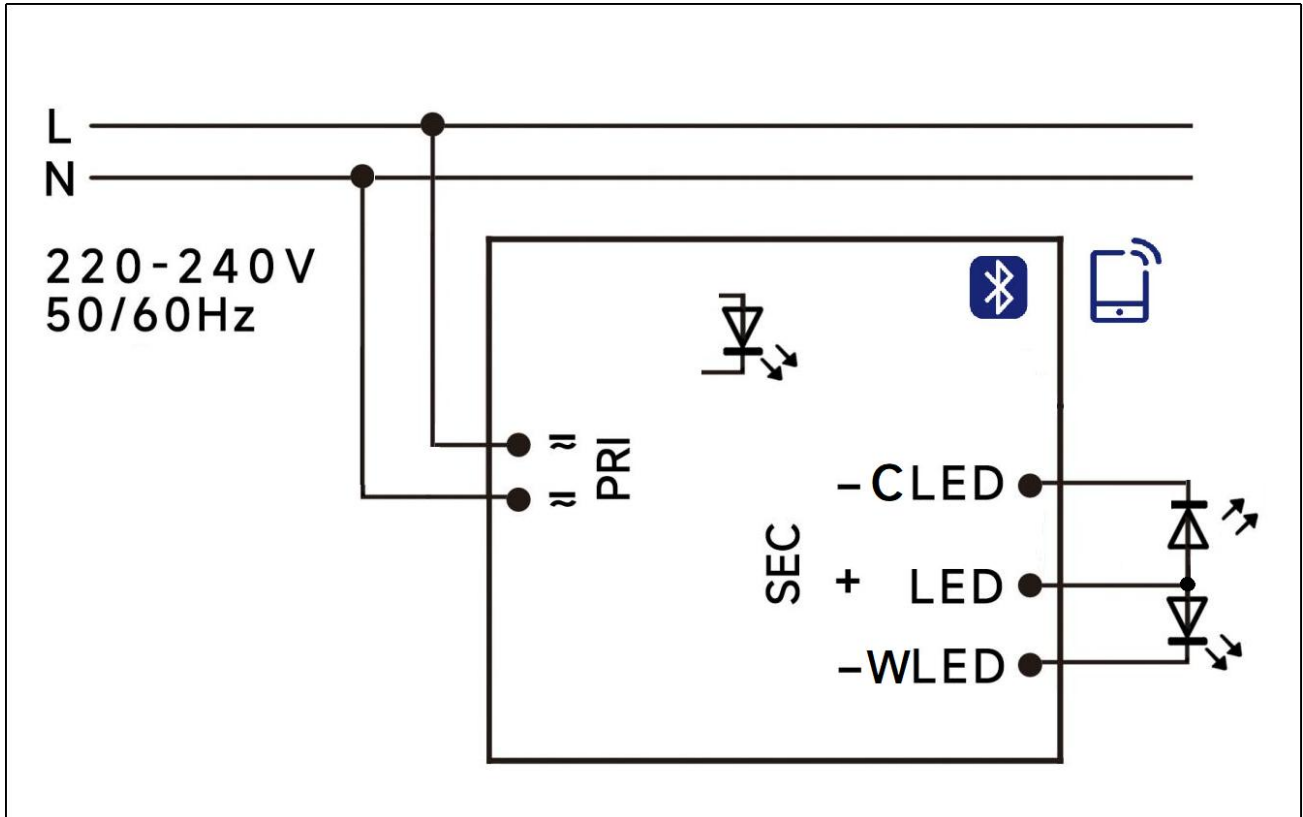
I _{peak}	T _{width}	B10	B16	B20	C10	C16	C20
20.3A	128μs	32pcs	51pcs	64pcs	47pcs	75pcs	94pcs



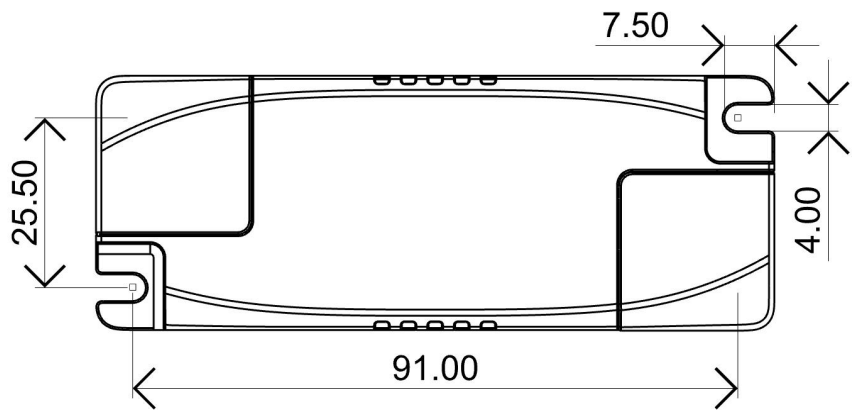
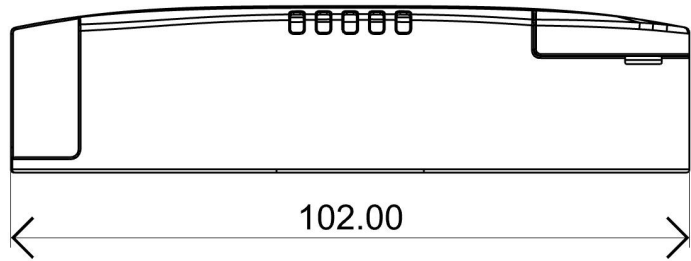
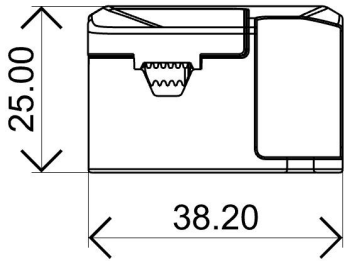
Remarks:

- 1.The number of drives mounted under different MCBs in the table is the maximum value. Please do not exceed this number during installation.
- 2.Different brands and models of miniature circuit breakers, the number of drives mounted will be slightly different.

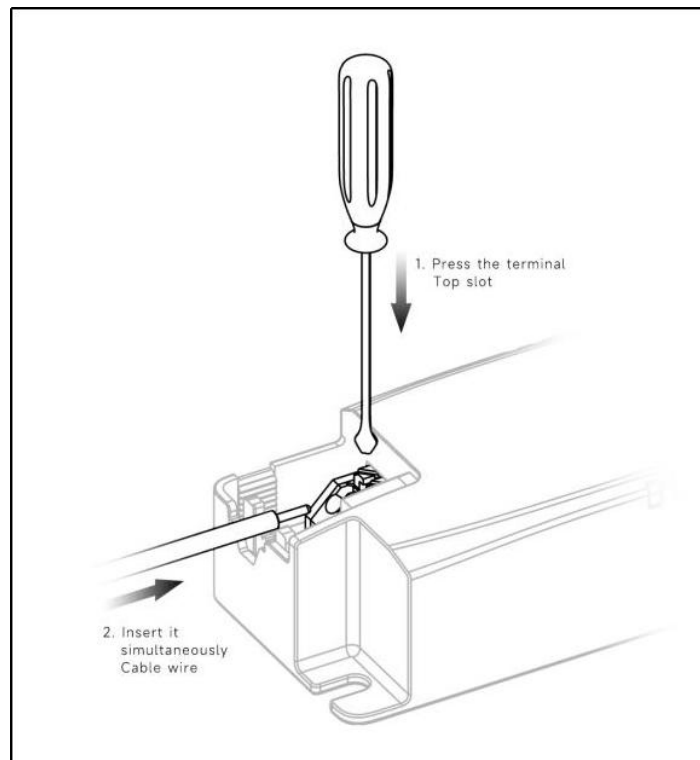
◆ Wiring diagram



◆ 2D diagram



Terminal



◆ Wiring & Connections

Specification item		Value (Unit)
Input	Input wire cross-section	0.5...1.5 mm ²
	Input wire gauge.	16...20 AWG
	Input wire strip length	7...9mm
Output	Output wire cross-section	0.5...1.5 mm ²
	Output wire gauge.	16...20 AWG
	Output wire strip length	7...9mm

◆ Recommended wire

Wire cross-section	Wire type
2*0.5mm ²	H03VVH2-F 2core
2*0.75mm ²	H03VVH2-F 2core
1.5mm ²	CCC 08(RV-90)
16AWG(1.25mm ²)	UL1015

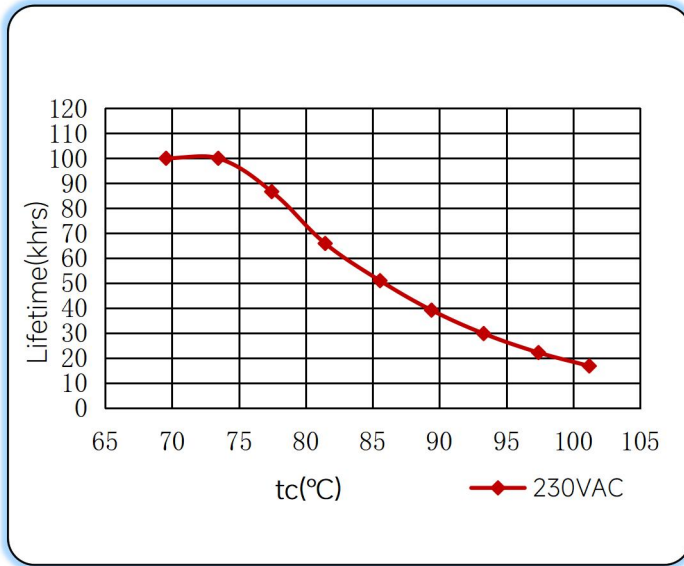
Note: Solid wire is risky to use on an angled terminal. Stranded wire is recommended for this kind of use.

◆ Packaging

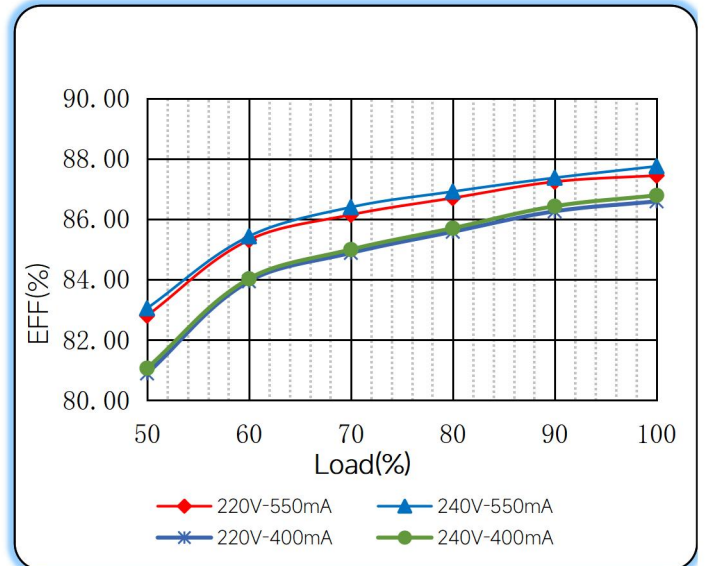
Model	Product Dimensions(mm)	weight/piece	Outer carton dimension(mm)	Quantity/carton	Net weight/carton(Kg)	Gross weight/carton(Kg)
FLS-20-550 Blue LA-MJ	102 x 38.2 x 25	0.065	385 x 285 x 225	156	10.14	10.74

◆ **Curve for FLS-20-550 Blue LA-MJ, Io=400/550mA**

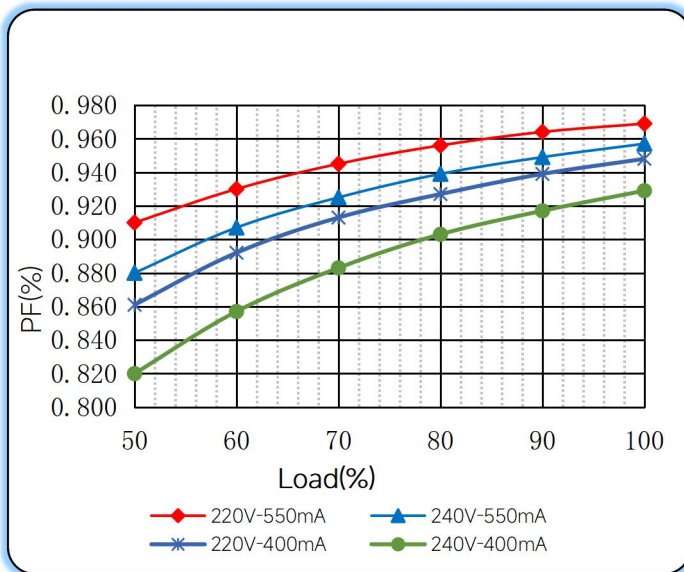
Lifetime vs. Temperature Curve



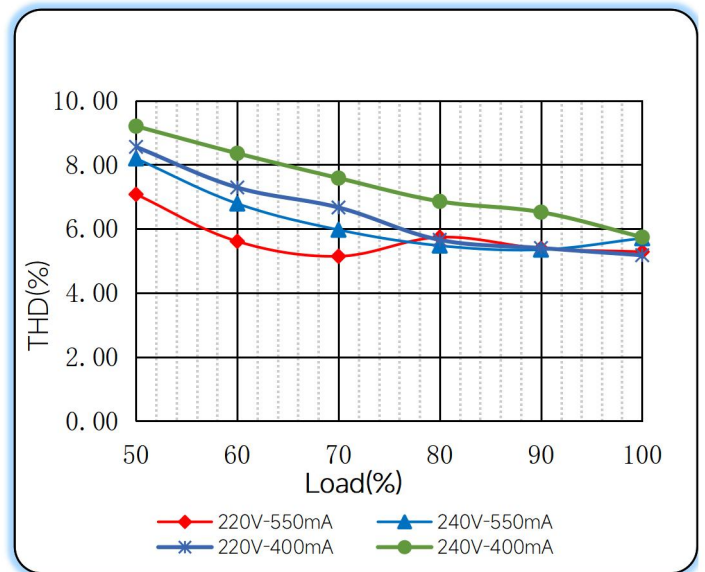
Efficiency vs. Load



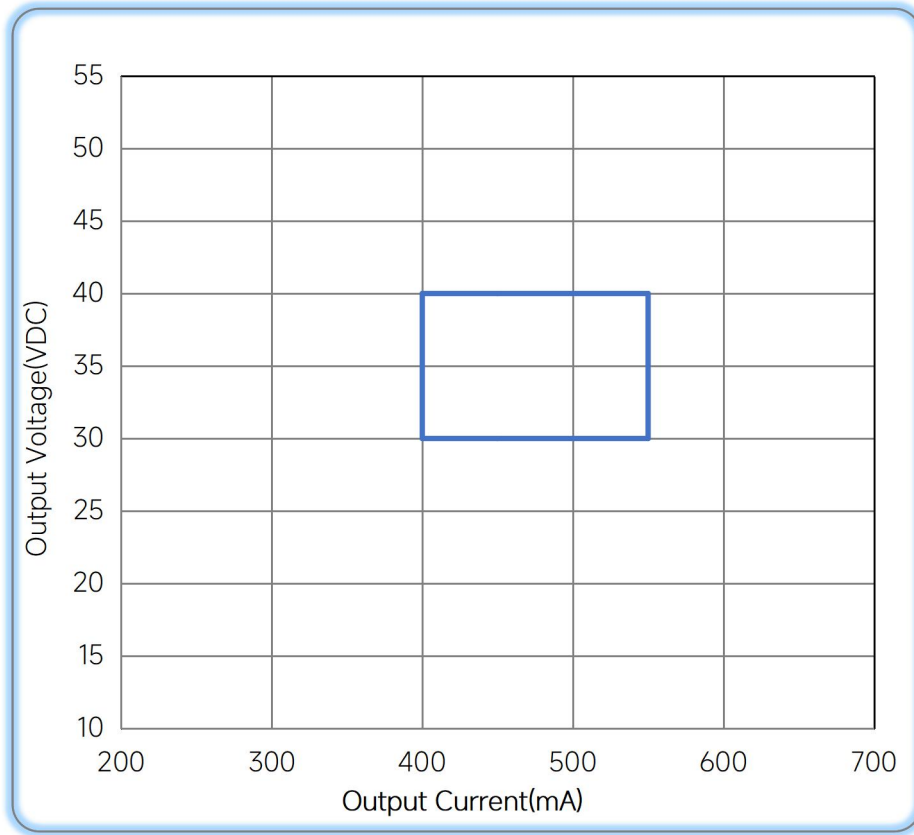
Power Factor Characteristics



THD vs. Load



◆ **Operating window**



— Operating window 100%

◆ **Revision Updates**

ITEM	BEFORE	AFTER	VERSION	DATE
Initial			A	2025/02/11
Update			B	2025/12/23
Update			C	2026/01/08

Remark: The final interpretation of the contents of the specification belongs to Eaglerise Electric & Electronic (China) Co., Ltd.

Tel: +86-0757-86256822, +86-0757-86256831

E-mail: sales@eaglerise.com

Website : <https://lighting.eaglerise.com>

